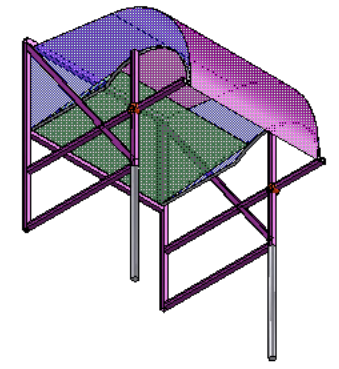
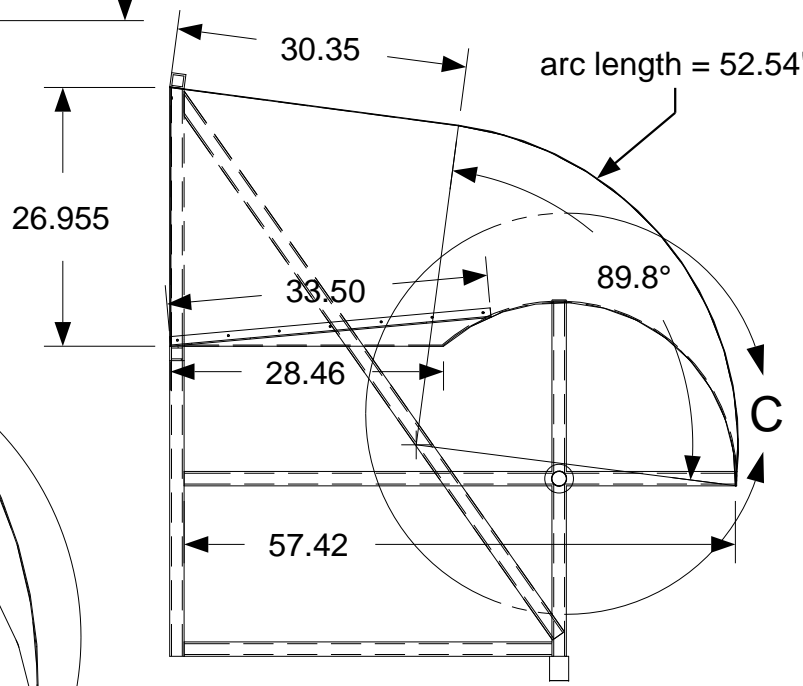
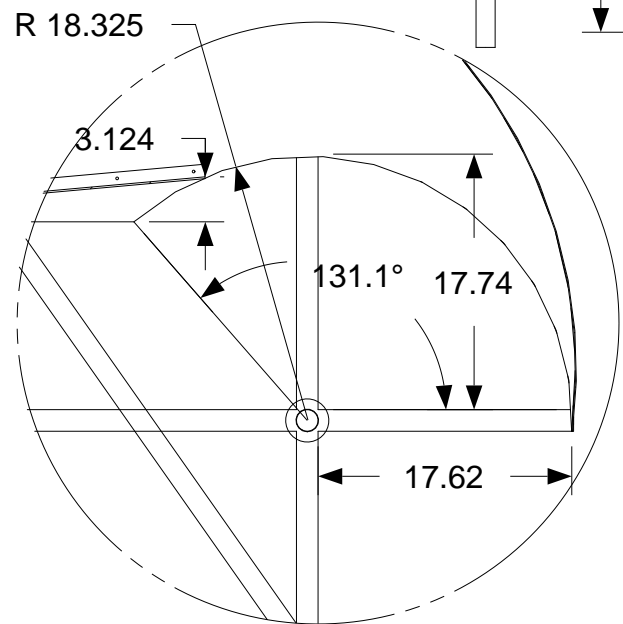
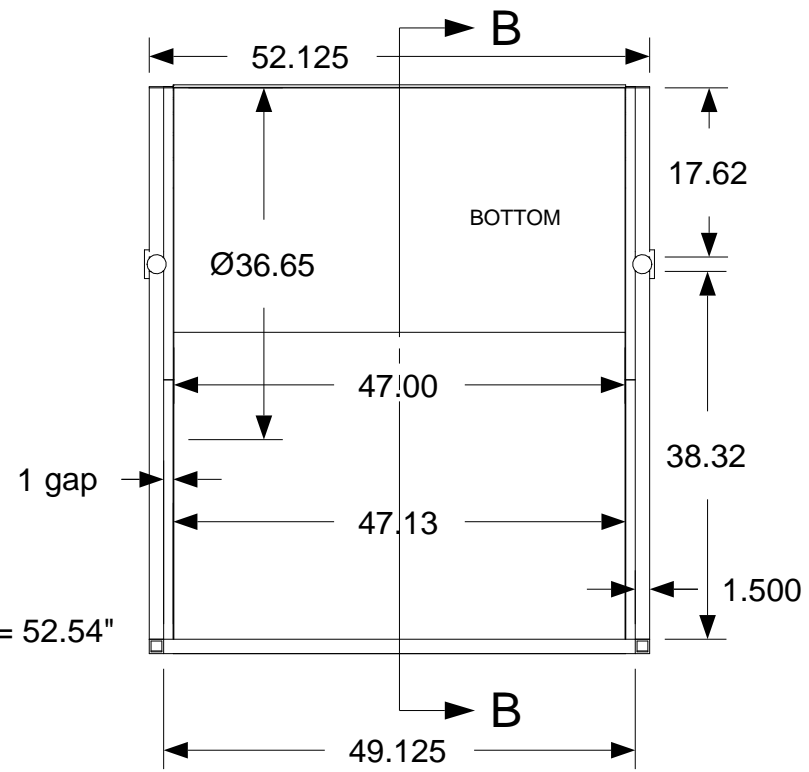
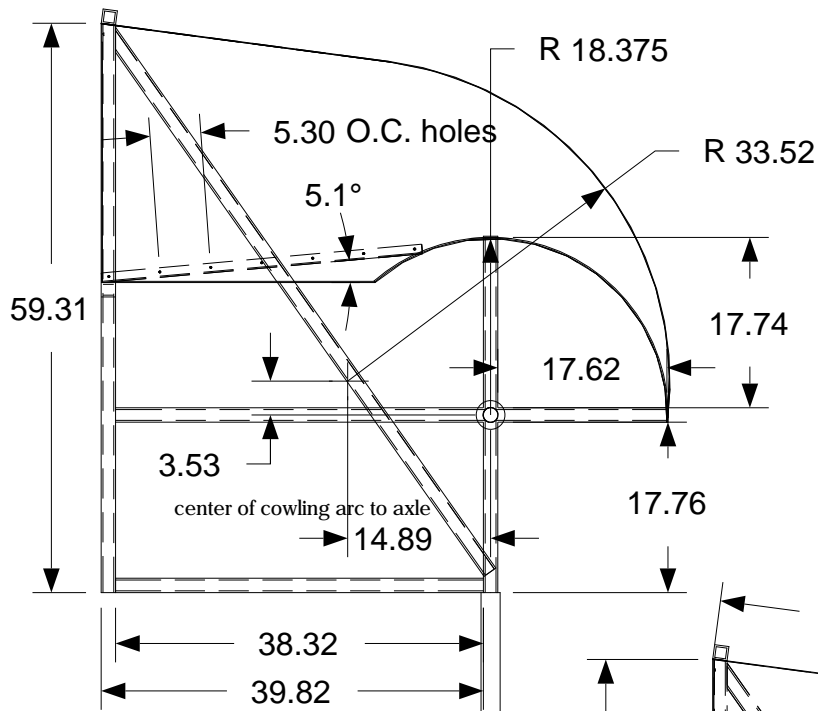


DESCRIPTION - NOTES			
Canal construction not shown			
SIZE A	DATE 6/11/09	DWG NAME Canal Turbine_3x4.icd	REV
SCALE	drawn by Larry Dobson		SHEET-2



Section B-B

DESCRIPTION - NOTES			
Turbine framework/cowling			
SIZE A	DATE 6/20/09	DWG NAME Canal Turbine_3x4.icd	REV
SCALE	drawn by Larry Dobson		SHEET 3