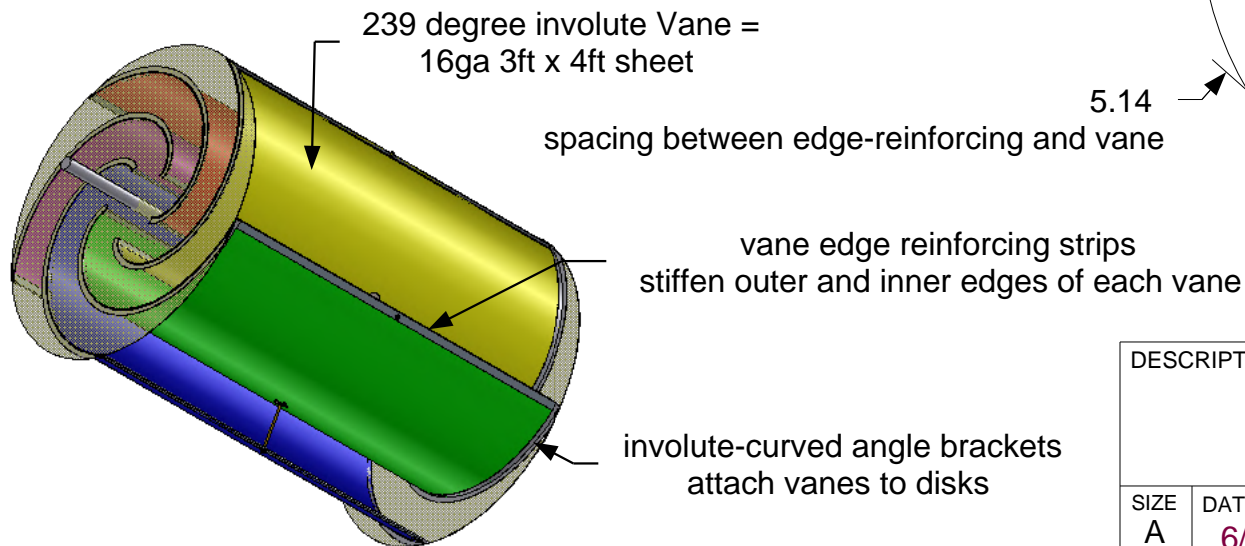
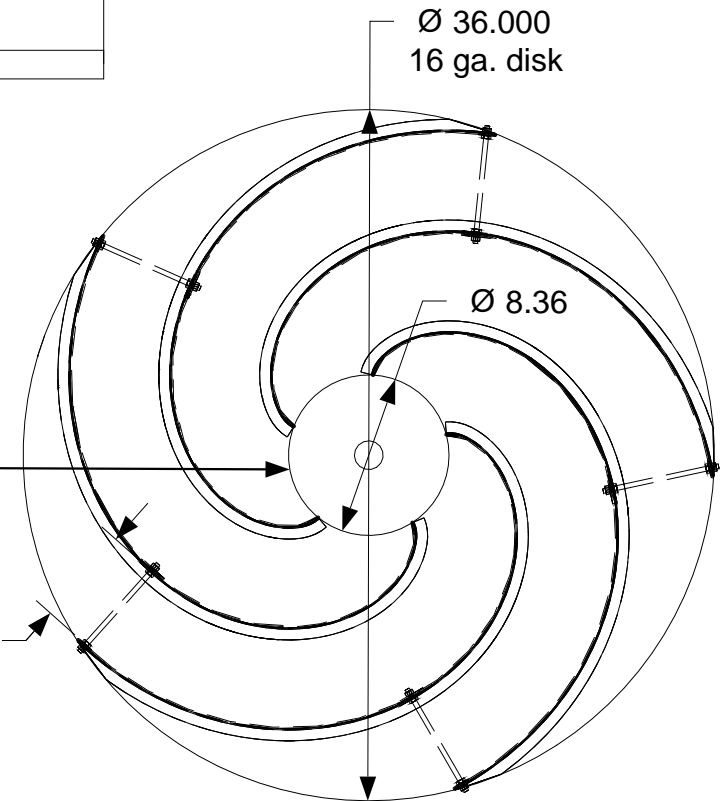


involute curve generated from 8.36" diameter central circle



| DESCRIPTION - NOTES | | | |
|------------------------------|-----------------------|-------------------------|---------|
| All components 304 stainless | | | |
| SIZE A | DATE 6/22/09 | DWG NAME Turbine.icd | REV |
| SCALE | drawn by Larry Dobson | | SHEET 1 |