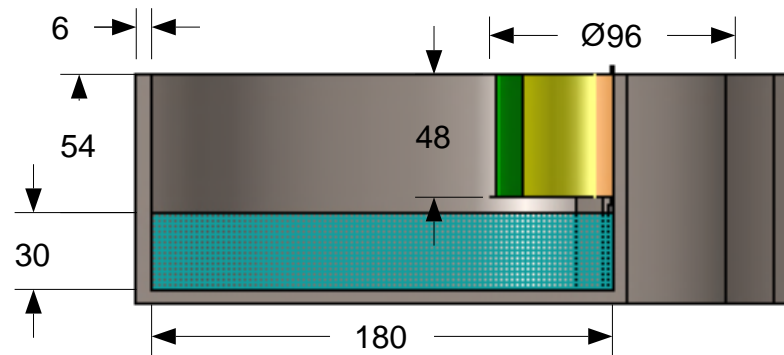
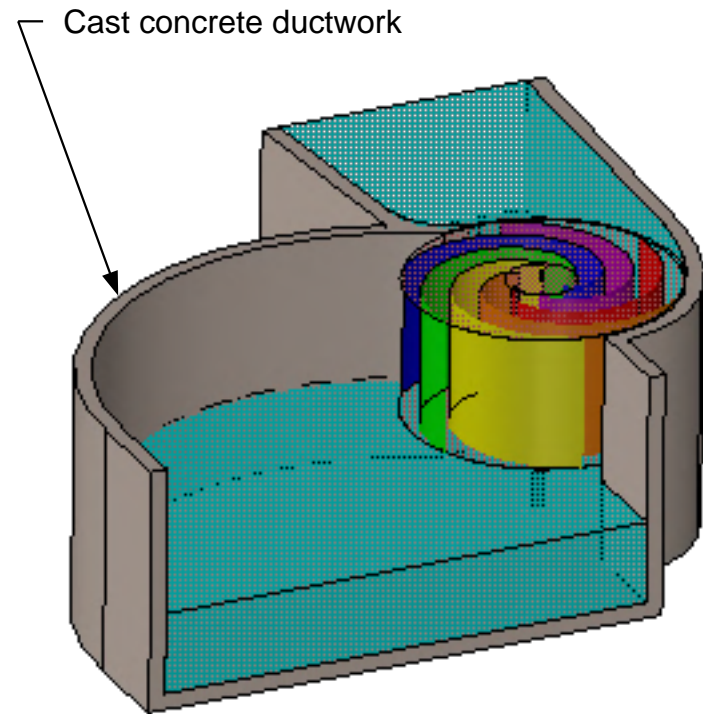
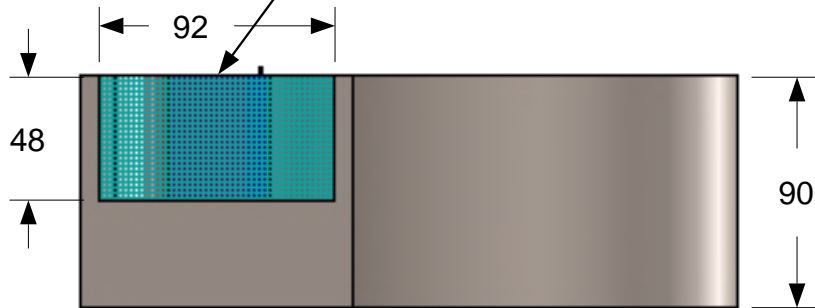


Dimensions in inches

entering canal constricts until water fills duct to lid (not shown) and accelerates into turbine



DESCRIPTION - NOTES			
6-vaned 280° Involute water turbine designed for low-head stream & irrigation canals			
SIZE	DATE	DWG NAME	
A	12/4/08	Water turbine_vertical 8x4_6x280.icd	
SCALE	drawn by Larry Dobson		SHEET