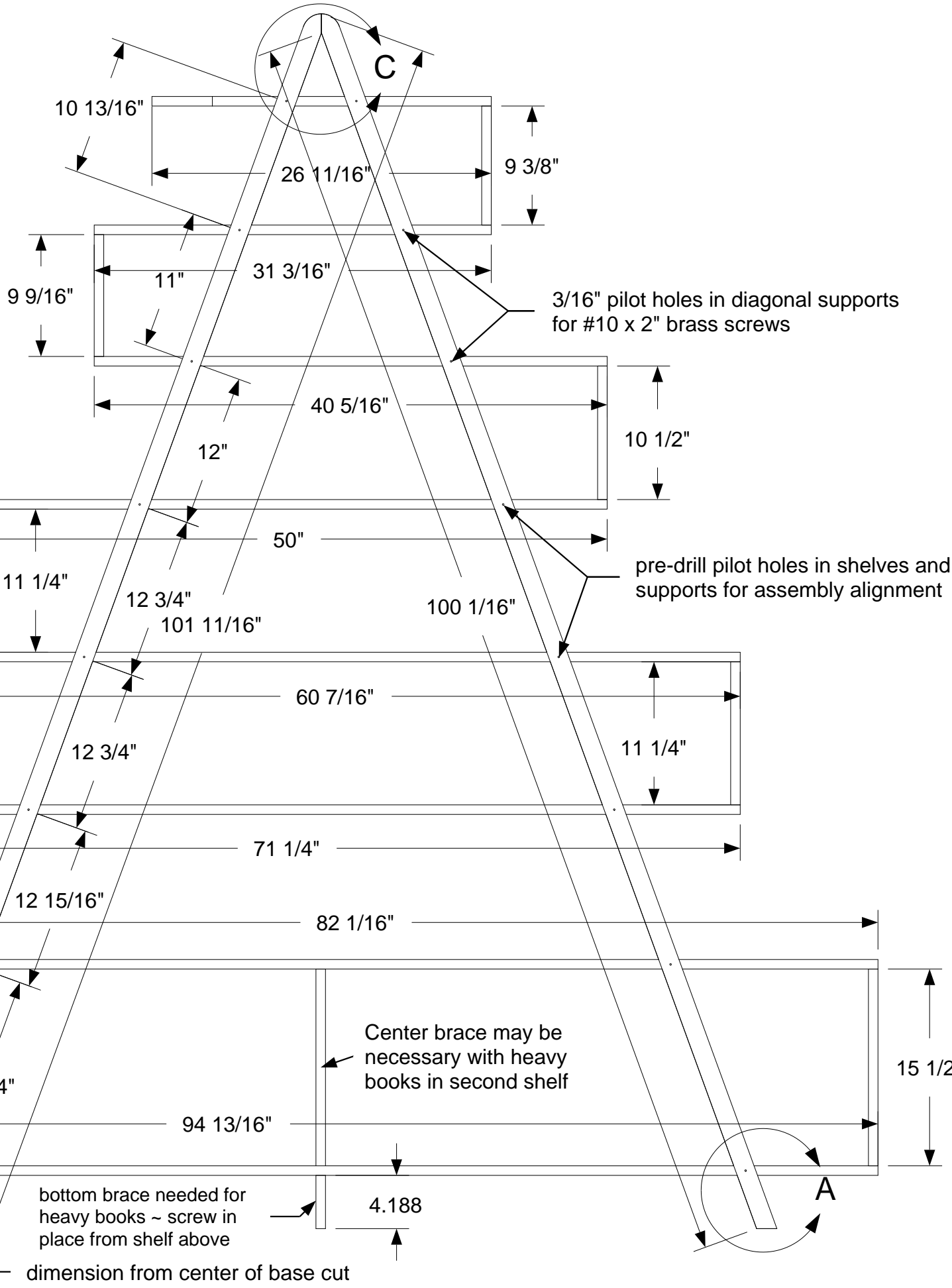
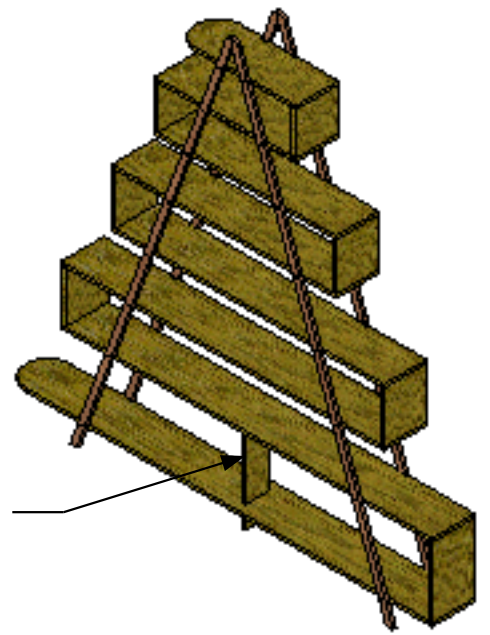


Detail C
SCALE 1 : 5

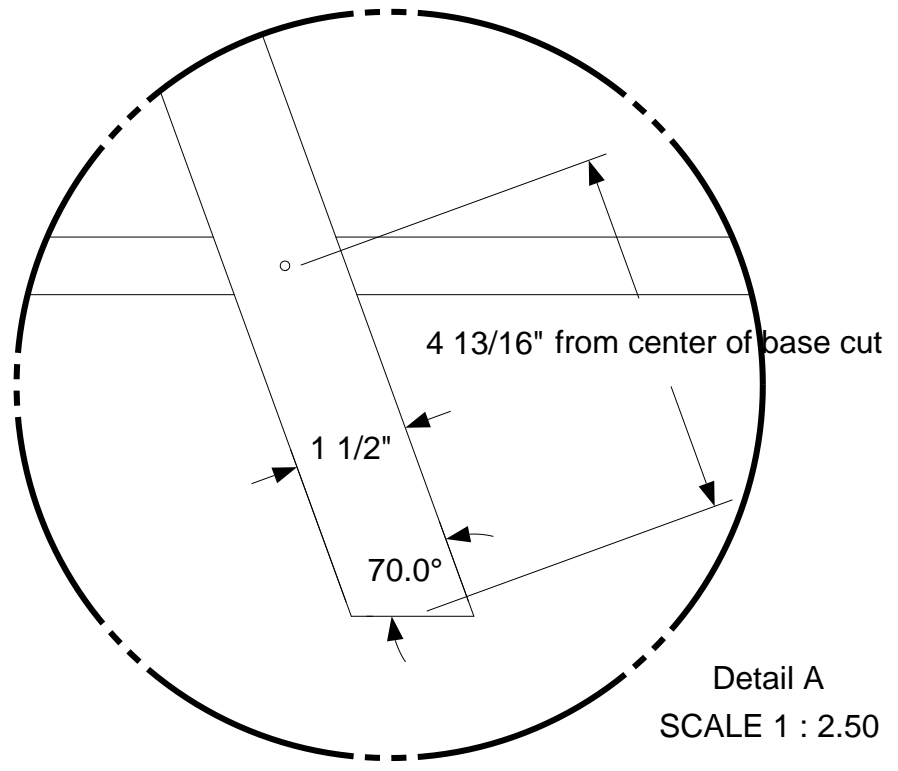


FRONT
SCALE 1 : 10

Dimensions of vertical shelf-supports based on 3/4 inch thickness. For other thickness, add or subtract the difference from all vertical dimensions



Center braces need not be shelf width



Detail A
SCALE 1 : 2.50

Bookshelf_zigzag2
Second set of dimensions

Designed and drawn by Larry Dobson